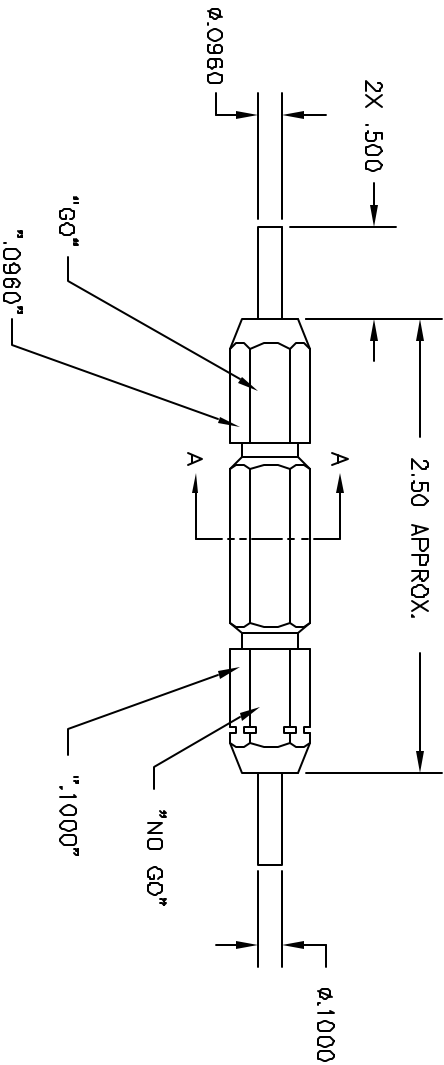
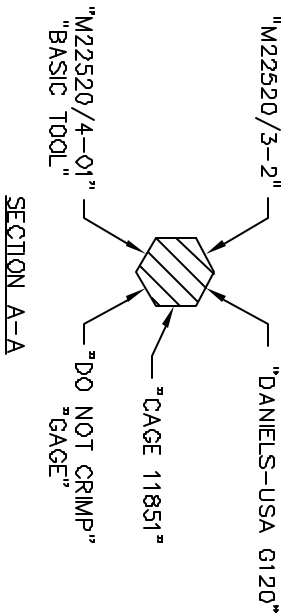


REV.	REV. DATE	EQ. NUMBER	DESCRIPTION	BY DATE	APP'D DATE
1			ORIGINAL RELEASE	12/20/05	12/20/05



**UNCONTROLLED DOCUMENT
WILL NOT BE UPDATED**

RESTRICTED & CONFIDENTIAL		MATERIAL		ITEM		PART NO.		QTY.		DESCRIPTION/REMARKS	
CONFIDENTIAL PROPERTY OF DANIELS MANUFACTURING CORP. NOT TO BE REPRODUCED OR TRANSMITTED IN ANY FORM OR BY ANY MEANS, ELECTRONIC OR MECHANICAL, INCLUDING PHOTOCOPYING, RECORDING, OR BY ANY INFORMATION STORAGE AND RETRIEVAL SYSTEM, WITHOUT THE WRITTEN PERMISSION OF DANIELS MANUFACTURING CORP. IN COMPLIANCE WITH THE TERMS AND CONDITIONS OF THE LICENSE AGREEMENT WHICH IS PART OF THE ORDER WHICH IDENT.		HEAT TREAT		J5		DATE		DATE		Daniel's MFG DANIELS MANUFACTURING CORP. ORLANDO, FLORIDA CAGE 11851 G0/ND-G0 GAGE (M22520/3-2) ENVELOPE DRAWING	
		FINISH		BG		DATE		DATE			
DO NOT SCALE DRAWING				DIR		DATE		DATE		WEIGHT US200 SIZE SCALE B NTS FINISH 1 OF 1 G120-ENV 1 REC	